

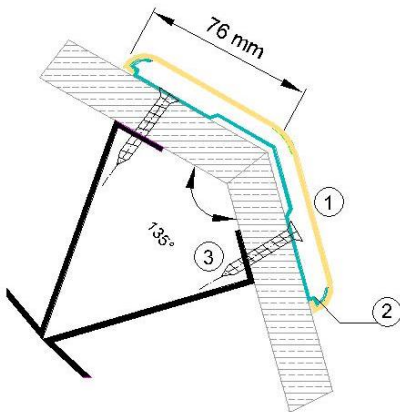
## CG76A DATA SHEET

### **CORNER PROTECTION SYSTEM**

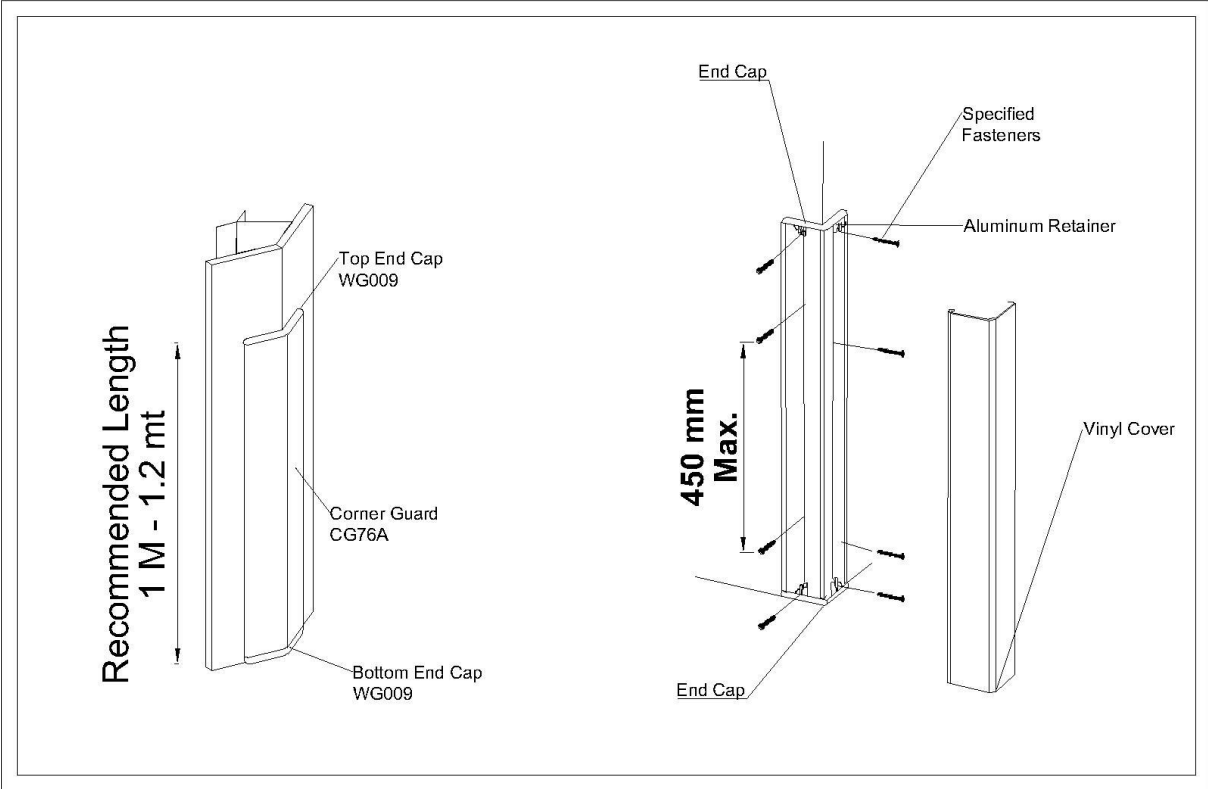
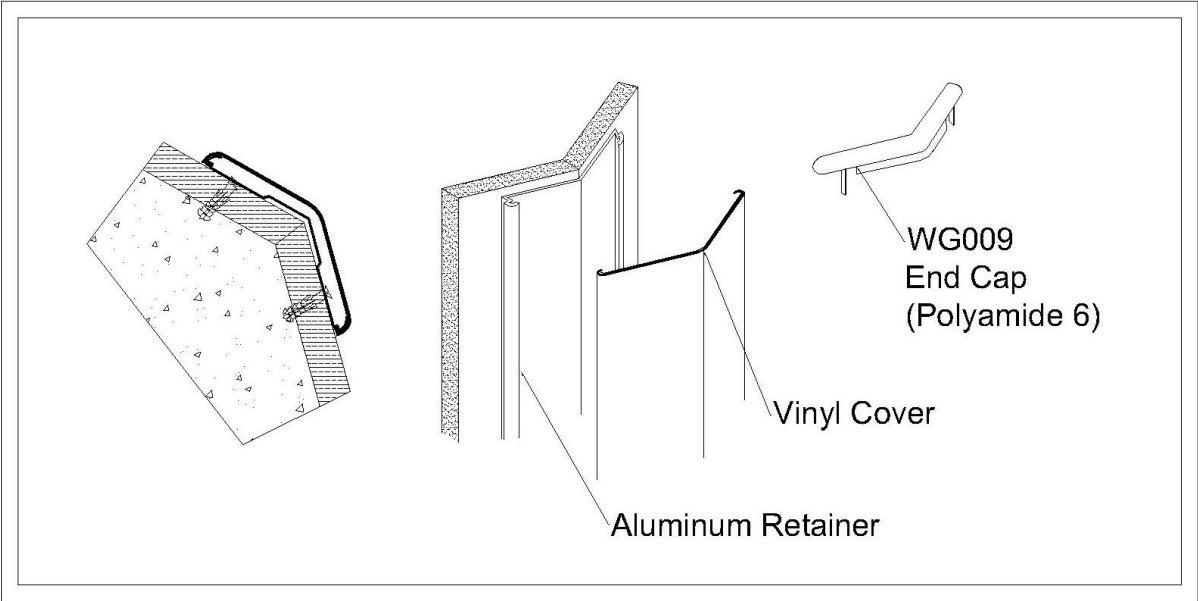
- 3 mt standard Length (Can be 1 mt, 1,5 mt)
- 76 mm x 76 mm edge dimensions
- 2 mm thick ARFEN Vinyl Cover
- ARFEN Vinyl Decorative Cap
- Continuous Aluminium Retainer

### **Specifications:**

- Impact Resistance
- Fire Resistance
- Antibacterial PVC Cover
- Perfect patterned ARFEN end cap accessories; WG009



- 1) Vinyl Cover 2 mm Thick
- 2) Continuous Aluminium Retainer (Alloy 6063 T5)
- 3) Fasteners (Supplied by Others)



### Polyamide 6 Physical Properties

Properties	Test Method	Result
Molding Shrinkage (Parallel)	ISO 294-4	1.1/* %
Molding Shrinkage (Normal)	ISO 294-4	1.1/* %
Yield Stress	ISO 527-1/-2	85/45 MPa
Yield Strain	ISO 527-1/-2	4/25 %
Nominal Strain at Break	ISO 527-1/-2	20/>50
Burning Behav.	IEU 60695-11-10	V-2/* class
Oxygen Index	ISO 4589-1/-2	26/* %
Water Absorption	Sim. To ISO 26	10/* %
Humidity Absorption	Sim. To ISO 26	2.8/* %
Density	ISO 1183	1.13 gr/cm <sup>3</sup>

### Materials Specifications

PVC Vinyl Cover Chemical and Physical Properties

**Chemical Compound:** PVC, Ca, Co<sub>3</sub>, Ca Zn, ti O<sub>2</sub>, Masterbatch, Anti-microbial Additives and Impact Modifier

Properties	Test Method	Result
Density	ISO 1183	1,44 gr/cm <sup>3</sup>
Fire Resistance	DIN 4102-1	B1
Impact Resistance	ASTM D256	37 Kj/m <sup>2</sup>
Anti - Microbial	ASTM E2149	Reduction Percentage exceed 99.9%

## Aluminium Alloy 6063.T5 Chemical Properties

	Si	Fe	Cu	Mn	Mg	Zn	Ti	Cr
Standard of 6063T5	0.20 - 0.60	Max 0.35	Max 0.10	Max 0.10	0.45 - 0.90	Max 0.10	Max 0.10	Max 0.10

## Aluminium Alloy 6063.T5 Physical Properties

Property	Value
Density	2.70 g/cm <sup>3</sup>
Melting Point	600 °C
Thermal Expansion	23.5 x 10 <sup>-6</sup> /K
Modulus of Elasticity	69.5 GPa
Thermal Conductivity	200W/m.K
Electrical Resistivity	0.035 x 10 <sup>-6</sup> Ω .m

